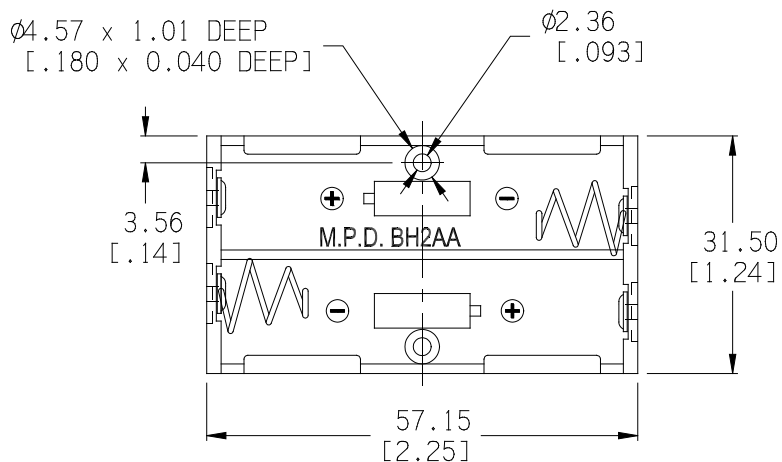
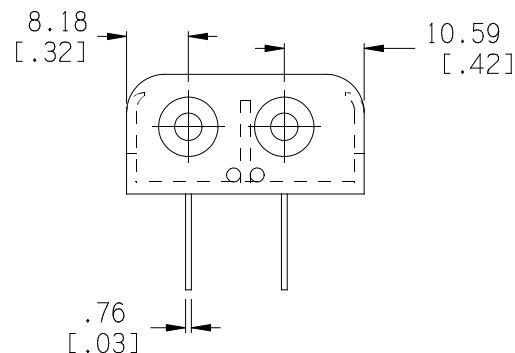
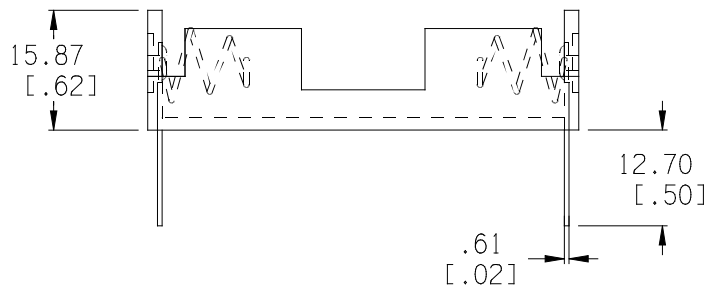
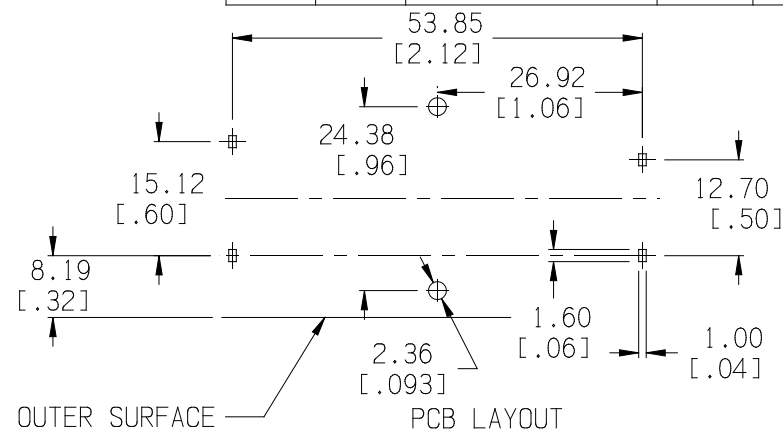


MOUNTING INSTRUCTION:

USE 2-56 MACHINE SCREWS OR EYELETS 0.089" OD BY 0.15" FLANGE STIMPSON GS-3 SERIES OR EQUIVALENT ALSO ADHESIVES AND DOUBLE SIDED TAPES WORK WELL.



Date	SYM	REVISION RECORD	AUTH	DR.	CK.
12/26/03	A	Changed Material Specification	T.B.	B.S.	
2/25/06	B	Added "ROHS COMPLIANT"	T.B.	B.S.	
6/24/06	C	Dim. 54.86 was 52.70	T.B.	B.S.	
10/28/06	D	Added 0.236 hole size to PCB layout	T.B.	B.S.	
3/14/08	E	Dim. 53.85 was 54.86 Dim. 26.92 was 27.17	T.B.	B.S.	




INTER CONNECTION SCHEMATIC

NOTES:

MATERIAL:

HOUSING: IMPACT RESISTANCE NYLON #6, BLACK, UL 94V-0
 MATERIAL FILE #UL E48285
 SPRING: SPRING STEEL, NICKLE PLATED
 CONTACTS: SPRING STEEL, NICKLE PLATED
 EYELETS: BRASS, NICKLE PLTD.
 ROHS COMPLIANT

Tolerance (Inches)	 Memory Protection Devices, Inc. 200 Broad Hollow Road, Farmingdale, New York 11735		
Decimal	±.5 (.020)	Scale	Drawn By B.S.
Fractional		Approved By T.B.	
Angular	± 3°	Date	3/14/08
		Drawing Number	BH2AAPC-4